

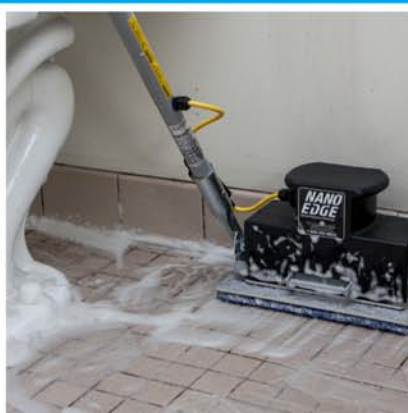
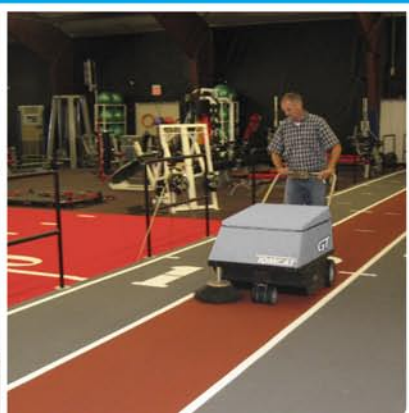
TOMCAT®

SWEEPERS GT Walkie / VR Rider



**MADE IN
USA**

SCRUBBERS SWEEPERS BURNISHERS FLOOR MACHINES



KEY FEATURES APPLICATIONS



Baghouse Filter and Beater Bar provides unmatched particulate collection. Sweepers can pick up whole bags of cement at a time. In most cases the filter will last the lifetime of the machine.



Maintenance is a snap. There's no oil to change, brooms to reverse, fuel to spill, tanks to exchange, valves to grind. Just put the machine on charge after every shift.



All steel construction built to last even in the toughest applications. Able to withstand years of abuse.



Time is money and none gets wasted with our sweepers. Monthly labor savings reach thousands of dollars when you sweep with our GT or VR.



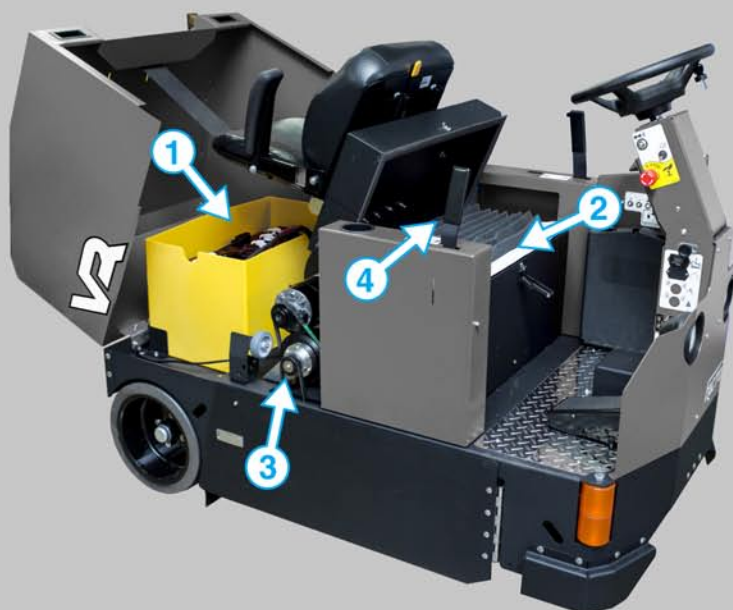
High Performance motors provides an unmatched standard of cleaning.



0 point turns for no nonsense mobility. This gives the control and accuracy needed for commercial cleaning without missing a spot.



- Carpet Flooring
- Running Tracks
- Artificial Turf
- Tennis Courts
- Sports Stadiums
- Airports



EASE OF ACCESS

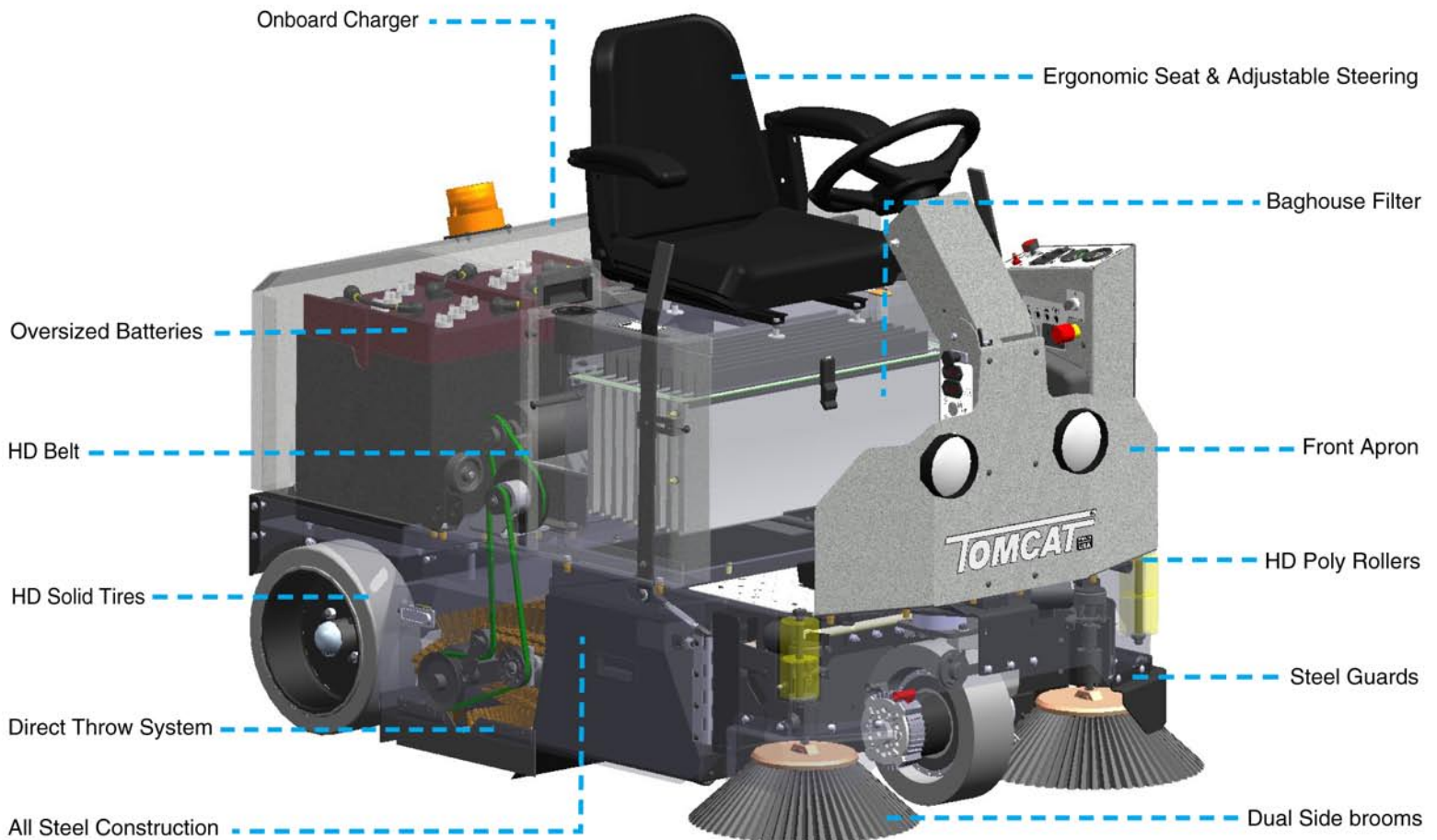
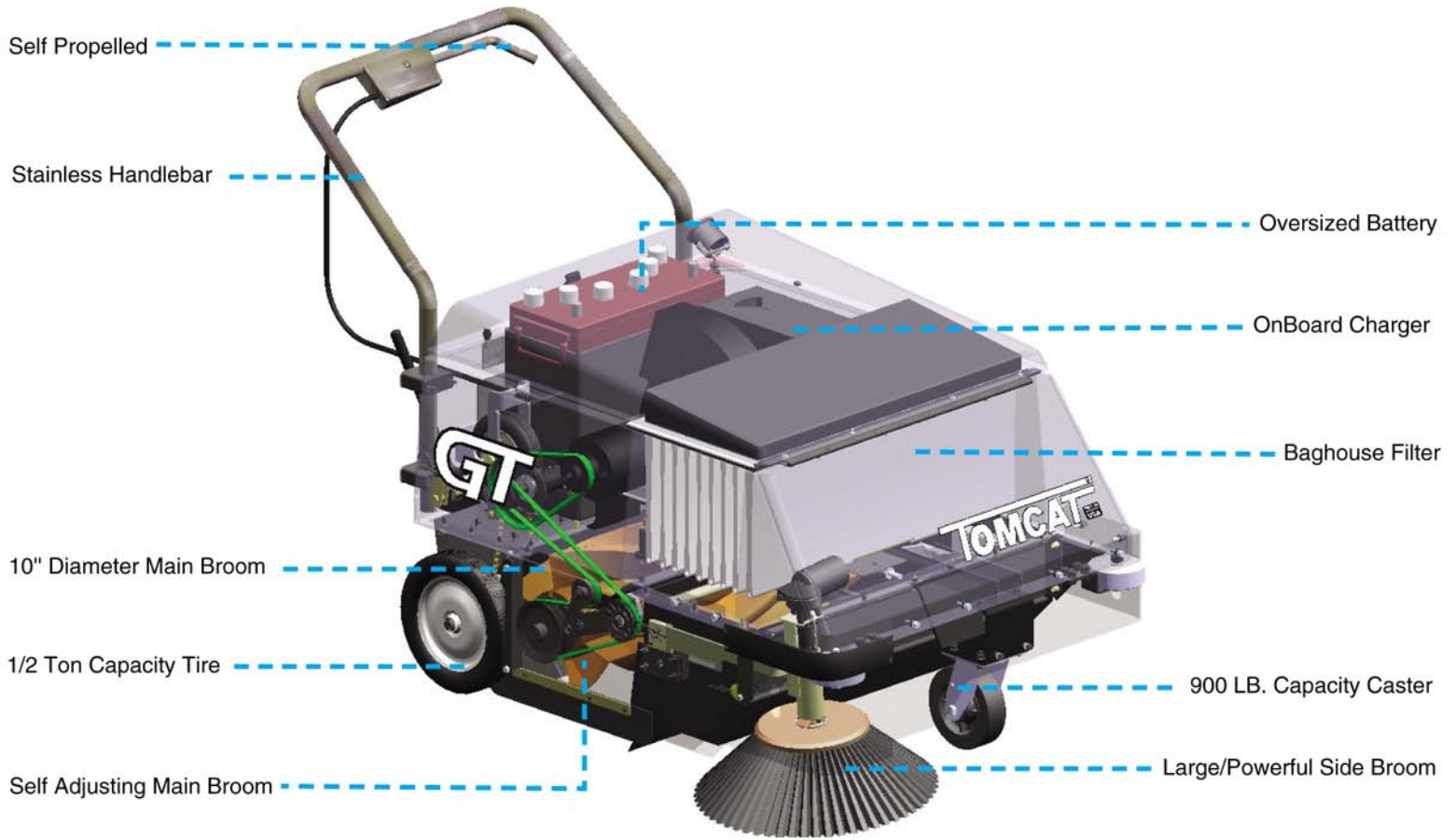
- 1 Oversized Batteries
- 2 Baghouse Filter
- 3 Self Adjusting Main Broom
- 4 Broom Controls

HOPPER

Dustless sweeping combined with our hopper creates an unmatched sweeping experience. Easily pick up bags of cement in a single pass.



VIEW INSIDE



CALL FOR A DEMONSTRATION



Since 1986, our family owned company has been designing, building and supporting the best in floor maintenance equipment. Our **TOMCAT** brand services the world with unsurpassed commercial cleaning equipment, continually exceeding expectations and setting the industry bar that much higher.

We've built our reputation by providing the highest value machines and providing local support via 425 distributors in over 42 different countries.

☎ 800-450-9824

🌐 (+001)-262-681-6470

🌐 www.tomcatequip.com

AUTHORIZED DISTRIBUTOR

Best Cleaners

SISTEMAS DE LIMPIEZA

www.sistemasdelimpieza.com

Tel: 3682 9080 | 3682 8081

MODEL	WALK BEHIND GT	RIDER VR
BODY CONSTRUCTION / DIMENSIONS		
Chassis Construction:	1/8" (3 mm) Powder Coated Steel	3/16" (5 mm) Powder Coated Steel
Front Wheel (Diameter x Width):	6" x 2" (15 x 5 cm) - Non-Marking Solid Grey	10" x 3" (25 x 8 cm) - Solid Black
Rear Wheels (Diameter x Width):	(2x) 10" x 2" ((2x) 25 x 5 cm) - Non-Marking Grey	(2x) 14" x 5" ((2x) 36 x 13 cm) - Solid Black
Size (L x W x H):	58" x 31" x 38" (147 x 79 x 96 cm)	64" x 37" x 50" (163 x 94 x 140 cm)
Weight (w/o Batteries):	295 - 345 lbs (134 - 156 kg)	825 - 875 lbs (374 - 397 kg)
Weight (w/ Standard Batteries):	425 - 475 lbs (193 - 215 kg)	1,115 - 1,165 lbs (506 - 528 kg)
SWEEPING SYSTEM		
Sweeping Method:	Direct Throw	Direct Throw
Broom (Diameter x Length):	10" x 26" (25 - 66 cm)	10" x 32" (25 x 81 cm)
Broom Power / Speed:	1.0 hp / 400 rpm (746 watts)	1.0 hp / 435 rpm (746 watts)
Side Broom Size:	(1x) 17" (43 cm)	(2x) 17" ((2x) 43 cm)
Side Broom Power / Speed:	0.3 hp / 65 rpm (224 watts)	(2x) 0.3 hp / 100 rpm (224 watts)
Hopper Capacity:	2.0 cubic ft. (56 liters)	4.2 cubic ft. (116 liters)
POWER SYSTEM		
System Voltage:	12 VDC	24 VDC
Standard Battery:	175 ah WET*	240 ah WET*
<small>*Includes Onboard Charger</small>		
Optional Battery:	215 ah AGM	325 ah WET / 420 ah WET / 250 ah AGM / 390 ah AGM
Run Time:	Up to 5 Hours**	Up to 5 Hours**
<small>**Run times are based on continuous sweeping run times.</small>		
Charger:	120 VAC / 60 Hz Input - 12 VDC / 25 amp Output	120VAC / 60 Hz Input - 24 VDC / 37A Output
DRIVE SYSTEM:		
Power:	1.0 hp - All Gear / Sealed (746 watts)	2.0 hp - All Gear / Sealed (1491 watts)
Speed Control:	0 - 237.6 ft/min / 0 - 2.7 mph (0 - 72.4 m/min / 0 - 4.3 km/h)	0 - 308 ft/min / 0 - 3.5 mph (0 - 93.9 m/min / 0 - 5.6 km/h)
FILTERING SYSTEMS:		
Filtering Material:	Polymer Felt/Baghouse	Polymer Felt/Baghouse
Filter Rating:	1 Micron	1 Micron
Size:	5,192 sq. inches (3.35 sqm)	5,192 sq. inches (3.35 sqm)
Vacuum Specs (Airflow):	250 cfm	280 cfm
GENERAL:		
Cleaning Width:	34" (86 cm)	46" (117 cm)
Decibels:	61 dBA***	65 dB***
<small>***Decibel levels per ISO 11201 as recommended by the American Association of Cleaning Equipment Manufacturers & OSHA</small>		
Productivity - Theoretical:	Up to 21,316 sqft (1,980 sqm)****	Up to 75,000 sqft (6,968 sqm)****
<small>****Productivity is based off of ISSA 2010 Cleaning Times</small>		
Productivity - Practical:	Up to 17,647 sqft (1,639 sqm)****	Up to 59,406 sqft (5,519 sqm)****
<small>****Productivity is based off of ISSA 2010 Cleaning Times</small>		



Manufactured By:
 R.P.S. Corporation
 1711 South Street
 Racine, Wisconsin 53404 (USA)
 Phone: (800) 450-9824
 International: (+001) 262-681-6470
www.tomcatequip.com